



✓  
Factory standard

Satin-chrome scale background: main scale slightly set back for wear protection.

Hardened stainless steel

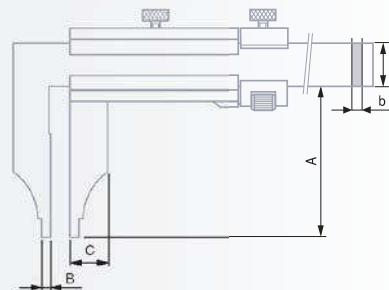
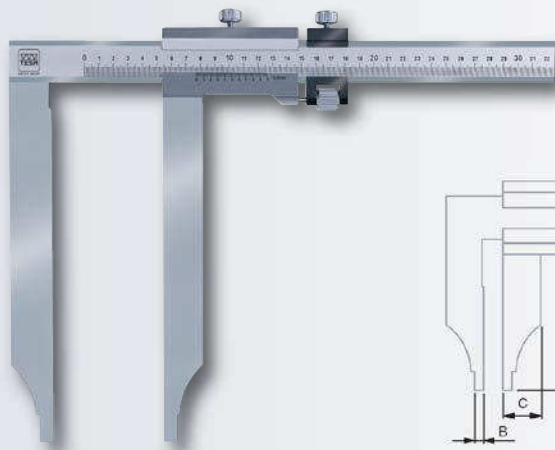
Wooden case

Identification number

Inspection report with a declaration of conformity

## TESA Calipers

– With extra long jaws and fine adjust device



mm

	mm	mm	a	b	A	B	C
00510921	0 ÷ 500	0.02	28	6	250	10	30
00510922	0 ÷ 500	0.05	28	6	250	10	30
00510941	0 ÷ 1000	0.02	32	8	300	10	30
00510942	0 ÷ 1000	0.05	32	8	300	10	30

Optional Accessory

0051610365 Magnetic magnifying glass, 3x magnification



✓  
NF E 11-096

Satin-chrome scale background: main scale slightly set back for wear protection.

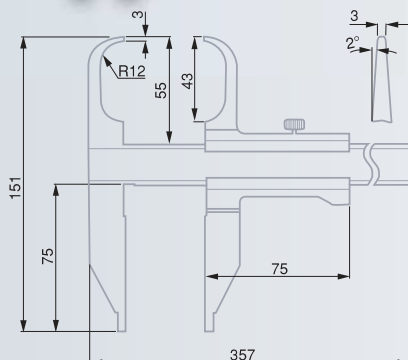
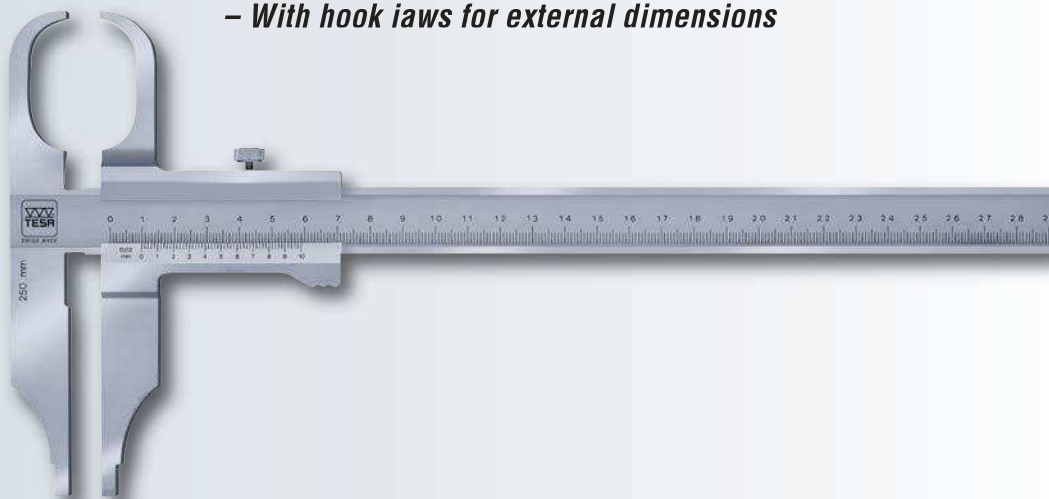
Hardened stainless steel

Wooden case

Identification number

Declaration of conformity

– With hook jaws for external dimensions



mm

mm

00510911

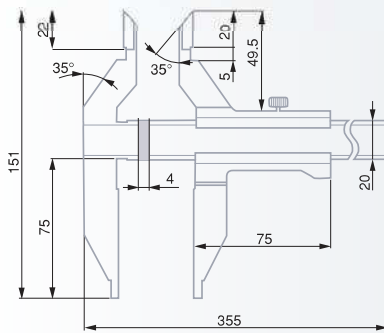
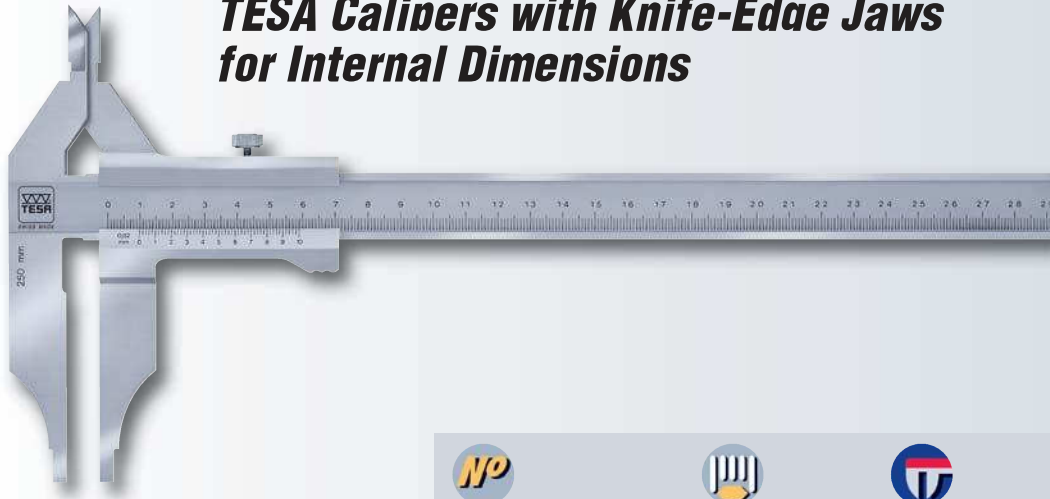
0 ÷ 250

0.02

Optional Accessory

0051610365 Magnetic magnifying glass, 3x magnification

## TESA Calipers with Knife-Edge Jaws for Internal Dimensions



00510915

0 ÷ 250

0.02

Optional Accessory

0051610365

Magnetic magnifying glass, 3x magnification



DIN 862  
(Style DN-2)  
NF E 11-091



Satin-chrome scale background: main scale slightly set back for wear protection.



Hardened stainless steel



Wooden case



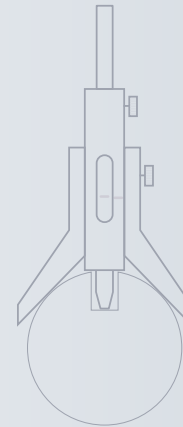
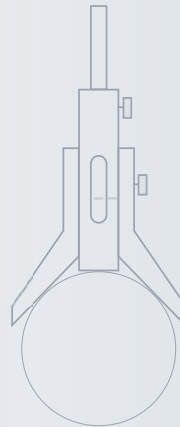
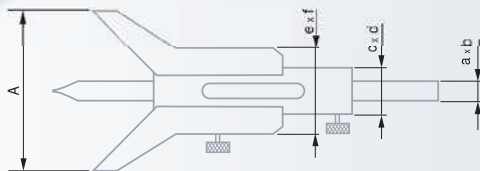
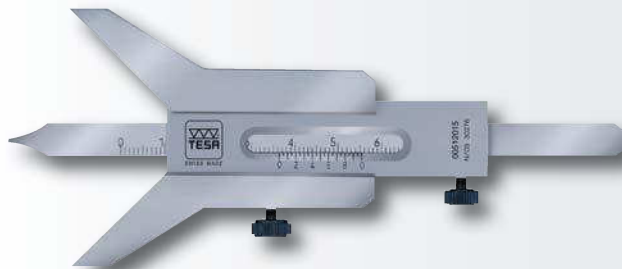
Identification number



Inspection report with a declaration of conformity

## TESA Calipers with Vee Bristles

Made to measure groove and slot depths on cylindrical shafts.



NF E 11-096



Satin-chrome scale background: main scale slightly set back for wear protection.



Hardened stainless steel



Wooden case



Identification number



Inspection report with a declaration of conformity



mm

00512015

5 ÷ 80

0.05

a

b

c

d

e

f

A

00512016

6 ÷ 120

0.05

8

2

18

5

32

10

60

00512017

7 ÷ 160

0.05

10

2

21.5

5

42

10

120

Optional Accessory

0051610365

Magnetic magnifying glass, 3x magnification



Factory standard

Satin-chrome scale background: main scale slightly set back for wear protection.

Hardened stainless steel

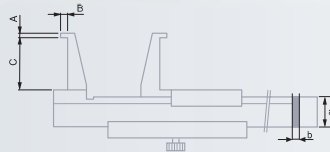
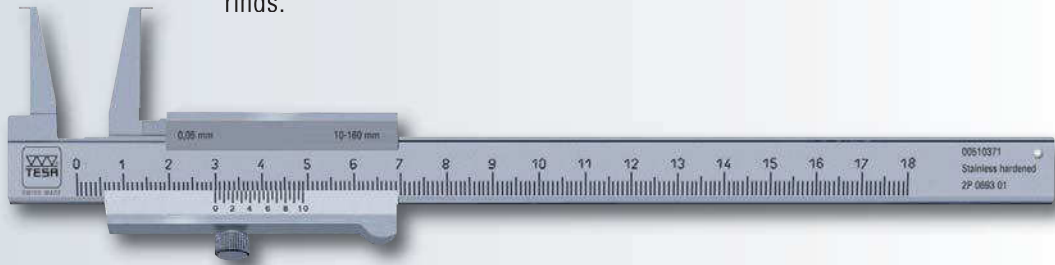
Wooden case

Identification number

Inspection report with a declaration of conformity

## TESA Calipers for Turned Grooves

Specially designed for measuring groove or slot diameters, e.g. on safety rings.



mm

	mm	mm	a	b	A	B	C
<b>00510371</b>	10 ÷ 160	0.05	16	3	0.9	3	25
<b>00510375</b>	20 ÷ 160	0.05	16	3	2	5	40
<b>00510383</b>	26 ÷ 200	0.02	16	3	3	7	60
<b>00510385</b>	26 ÷ 200	0.05	16	3	3	7	60
<b>00510387</b>	30 ÷ 250	0.02	20	4	4	8.5	80
<b>00510393</b>	35 ÷ 300	0.02	20	4	5	10	100

*Optional Accessory*

**0051610365** Magnetic magnifying glass, 3x magnification



Factory standard

Each slider with fine adjust device

Hardened stainless steel. Tungsten carbide coated measuring faces

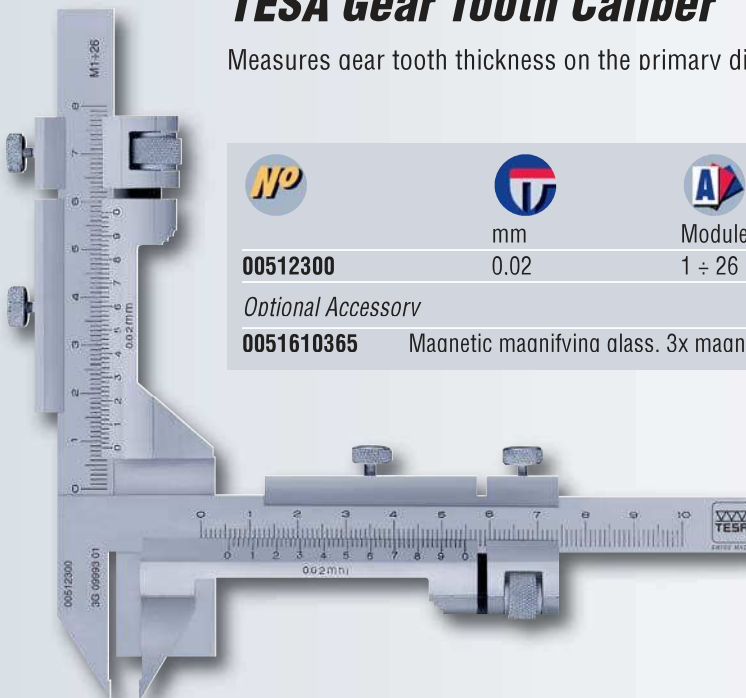
Wooden case

Identification number

Declaration of conformity

## TESA Gear Tooth Caliper

Measures gear tooth thickness on the primary diameter.

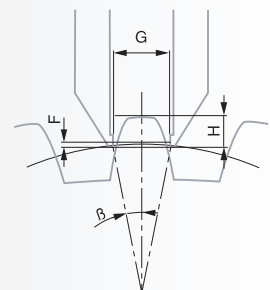


Module

<b>00512300</b>	0.02	1 ÷ 26
-----------------	------	--------

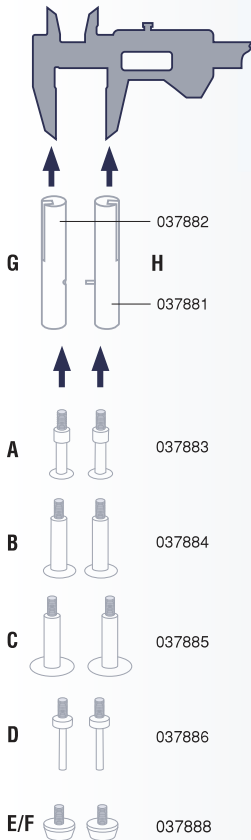
*Optional Accessory*

**0051610365** Magnetic magnifying glass, 3x magnification



## Brown & Sharpe Accessory Sets CENTERLINE

Each set includes practical accessories for measuring undercuts, grooves, slots, centre distances of bores, etc. – Fits all calipers with analogue or digital indication covering the measuring range 0 to 150 mm or 0 to 6 in.



### CENTERLINE Accessory Sets

- 06769001** Full accessory set provided in a custom wooden case
- 06739000** Full accessory set provided in a fitted wooden case including one TESA Shop-Cal mit capa u system (No. 00530090)
- 06769008** Full accessory set in a fitted wooden case. Includes a free space arrangement for a caliper covering the measuring range 0 to 150 mm / 0 to 6 in to be stored (must be ordered separately).

### Complete Sets Including:

<b>A</b>	1 Pair of disc-shaped measuring inserts	6	0.8
<b>B</b>	1 Pair of disc-shaped measuring inserts	10	0.8
<b>C</b>	1 Pair of disc-shaped measuring insert	12.5	0.8
<b>D</b>	1 Pair of cylindrical measuring inserts	1.5	9.5
<b>E</b>	1 Pair of cone-shaped measuring inserts	9	60°
<b>F</b>	1 Pair of cone-shaped measuring inserts	12.5	60°
<b>G</b>	1 Insert-holder (left)		
<b>H</b>	1 Insert-holder (right)		
	1 Socket head key		1.2



Steel with black oxide plating



Inserts with M2.5 threaded coupling.

Lowest centre distance of the mounted insert holder: 10 mm.

## Depth Measuring Foot

For use with TESA or ETALON universal calipers with measuring ranges from 0 to 150 mm/0 to 6 in as listed on pages B-3 to B-8.



**00560013**

75 x 6



Factory standard



Hardened stainless steel



Ground measuring face