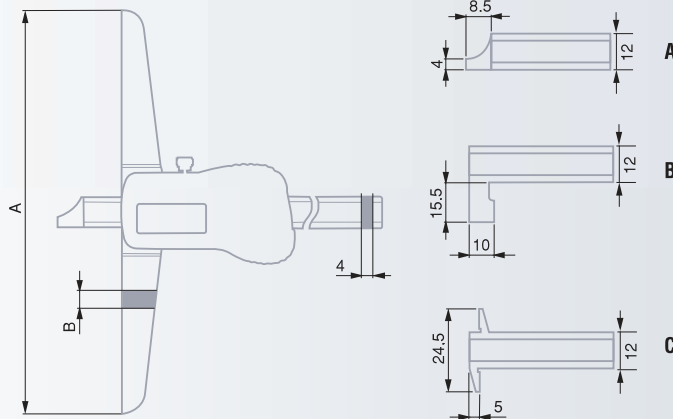
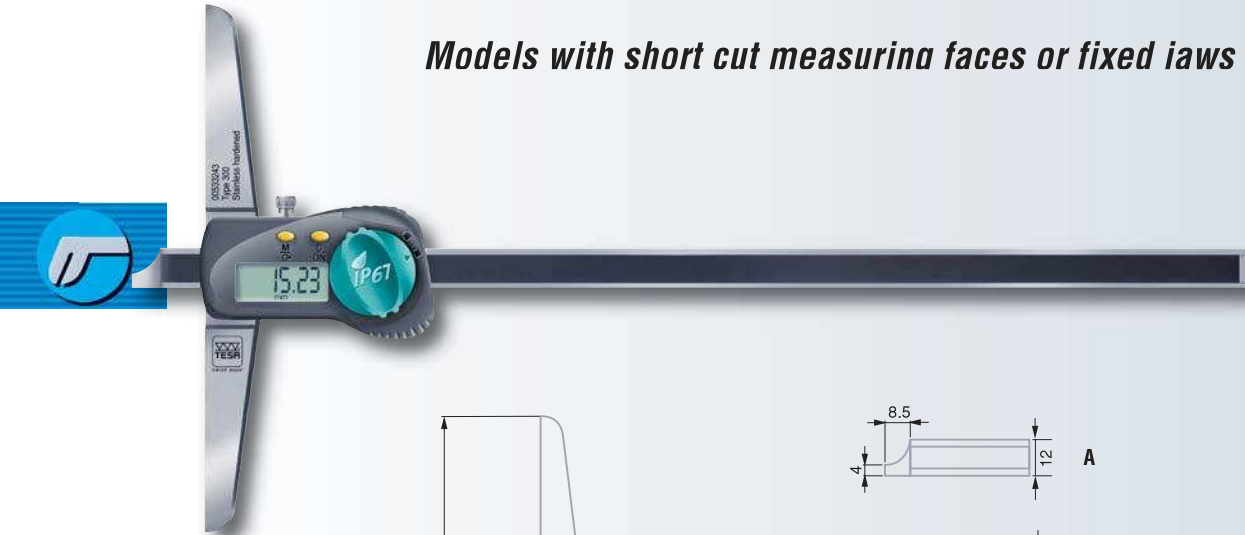


TESA IP67

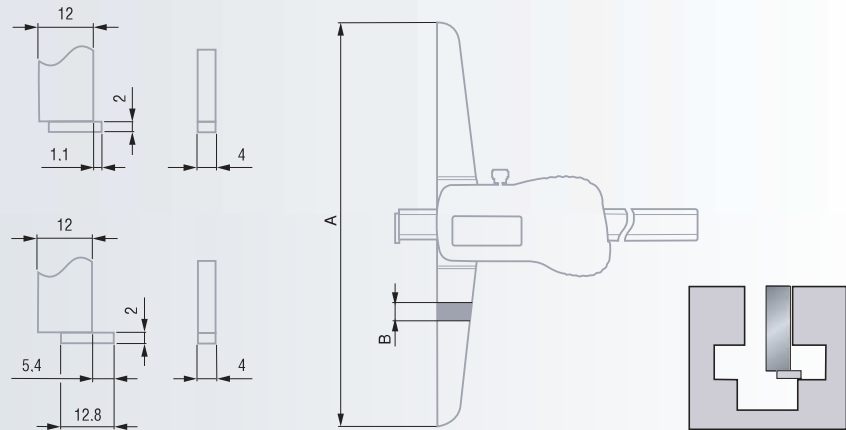
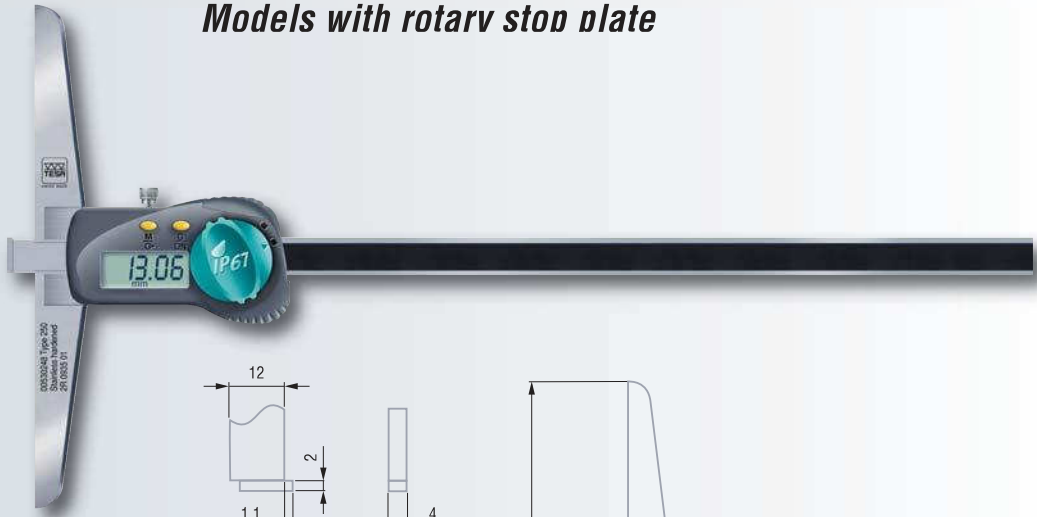
Models with short cut measuring faces or fixed jaws



No	mm		in		A mm	B mm
	mm	in	mm	in		
Models A with a short cut measuring face						
00530241	0 ÷ 200	0 ÷ 8	100	8		
00530242	0 ÷ 250	0 ÷ 10	100	8		
00530243	0 ÷ 300	0 ÷ 12	150	8		
00530244	0 ÷ 500	0 ÷ 20	150	8		
Models B with one fixed jaw						
00530245	0 ÷ 300	0 ÷ 12	150	8		
00530246	0 ÷ 500	0 ÷ 20	150	8		
Models C with two fixed jaws						
00530247	0 ÷ 300	0 ÷ 12	150	8		
Optional Accessories						
	200, 300 or 400 mm removable bridges (see page B-19)					
01961000	3V lithium battery, 190 mAh, type CR 2032 For connecting cables, see section A					

- ✓
- DIN 862 (Style C-ZS)
- See table
- 0.01 mm / 0.0005 in
- LCD, 7 mm
- Floating zero
- Display lock
- mm / in conversion
- See page B-2
- Glass scale with incremental divisions, magnetic
- > 1.8 m / s
- RS232 opto-coupled, mono- and bi-directional
- Hardened stainless steel
- 3V lithium battery, CR 2032
- ≈ 1.5 a (≈ 2000 h / a)
- Idle mode after 10 min., automatic switch off after 2 h.
- 10°C to 40°C
- 10°C to 60°C
- 100%
- IP67 (IEC 60529)
- EN 50081-1 / EN 50082-1
- Wooden case or plastic case depending on the model
- Identification number
- Inspection report with a declaration of conformity

Models with rotary stop plate

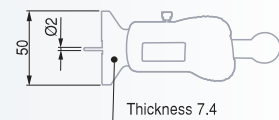


No	mm	in	A mm	B mm
00530248	0 ÷ 250	0 ÷ 10	150	8.5
00530249	0 ÷ 350	0 ÷ 14	150	8.5
00530250	0 ÷ 500	0 ÷ 20	150	8.5

Optional Accessories

	200, 300 or 400 mm removable bridges (also see page B-19)			
01961000	3V lithium battery, 190 mAh, type CR 2032			
	For connecting cables, see section A			

Small-sized caliper with measuring tip



No	mm	in
00530251	0 ÷ 25	0 ÷ 1

Optional Accessory

01961000	3V lithium battery, 190 mAh, type CR 2032	
	For connecting cables, see section A	

