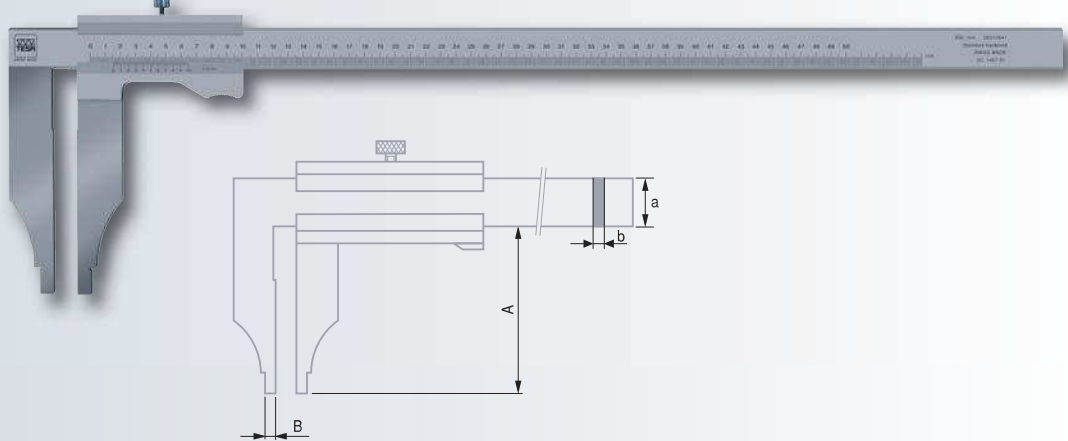


## Models with rounded measuring faces for internal dimensions

– Without fine adjust device



DIN 862  
(Style EN-2)  
NF E 11-091



Satin-chrome scale  
background:  
main scale  
slightly set back for  
wear protection



See page B-2



Hardened  
stainless steel



Wooden case or  
plastic case  
depending on  
the model



Identification  
number



Inspection report  
with a declaration  
of conformity

No	mm		in		mm		A	B
	mm	mm	in	in	a	b		
00510509*	0 ÷ 200	0.02	–	–	17	3.5	80	5
00530509	0 ÷ 200	0.02	0 ÷ 8	0.001	17	3.5	80	5
00510506	0 ÷ 200	0.05	–	–	17	3.5	80	5
00510511	0 ÷ 250	0.02	–	–	20	4	90	5
00510512	0 ÷ 250	0.05	–	–	20	4	90	5
00510521	0 ÷ 300	0.02	–	–	20	4	90	5
00530521	0 ÷ 300	0.02	0 ÷ 12	0.001	20	4	90	5
00510522	0 ÷ 300	0.05	–	–	20	4	90	5
00510531	0 ÷ 400	0.02	–	–	24.5	5	125	10
00530531	0 ÷ 400	0.02	0 ÷ 15	0.001	24.5	5	125	10
00510541	0 ÷ 500	0.02	–	–	28	6	150	10
00510542	0 ÷ 500	0.05	–	–	28	6	150	10
00510551	0 ÷ 600	0.02	–	–	28	6	150	10

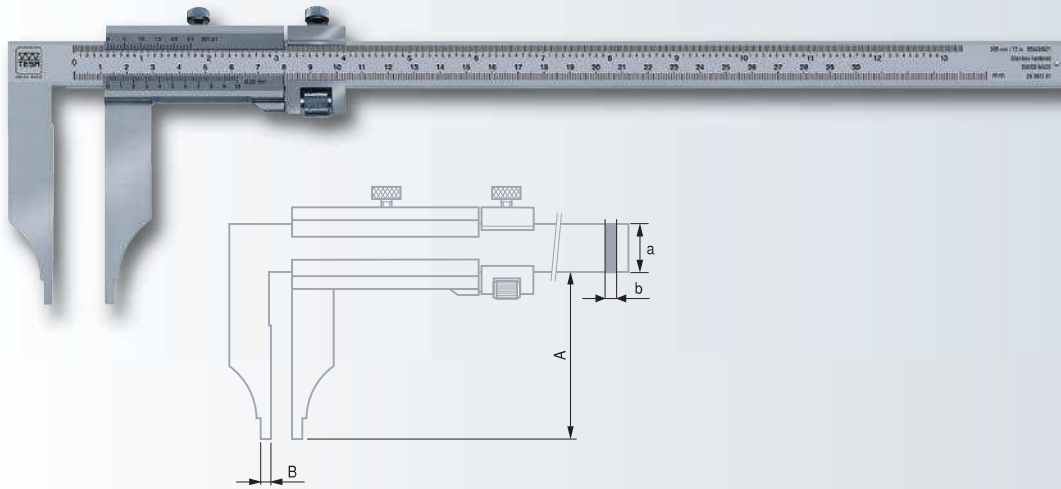
*Optional Accessory*

**0051610365** Magnetic magnifying glass, 3x magnification

\* Provided with a stainless steel rule No. 0951750181, 200 mm long.

## Models with rounded measuring faces for internal dimensions

– With fine adjust device



DIN 862  
(Style EN-2F)  
NF E 11-091



Satin-chrome  
scale background:  
main scale  
slightly set back for  
wear protection



Hardened  
stainless steel



Wooden case or  
plastic case  
depending on  
the model



Identification  
number



Inspection report  
with a declaration  
of conformity

No					mm		A	B
					a	b		
00510601	0 ÷ 200	0.02	–	–	17	3.5	80	5
00510611	0 ÷ 250	0.02	–	–	20	4	90	5
00510621	0 ÷ 300	0.02	–	–	20	4	90	5
00510641	0 ÷ 500	0.02	–	–	28	6	150	10
00510651	0 ÷ 600	0.02	–	–	28	6	150	10
00510661	0 ÷ 800	0.02	–	–	32	8	150	10
00510671	0 ÷ 1000	0.02	–	–	32	8	150	10
00510681	0 ÷ 1500	0.02	–	–	40	8	300	15
00510691	0 ÷ 2000	0.02	–	–	40	8	300	15

*Optional Accessory*

0051610365	Magnetic magnifying glass. 3x magnification
------------	---

## Models with knife-edge jaws and rounded measuring faces for both external and internal dimensions

– With or without fine adjust device



DIN 862  
(Style BN-2)  
NF E 11-091

Satin-chrome  
scale background:  
main scale  
slightly set back for  
wear protection

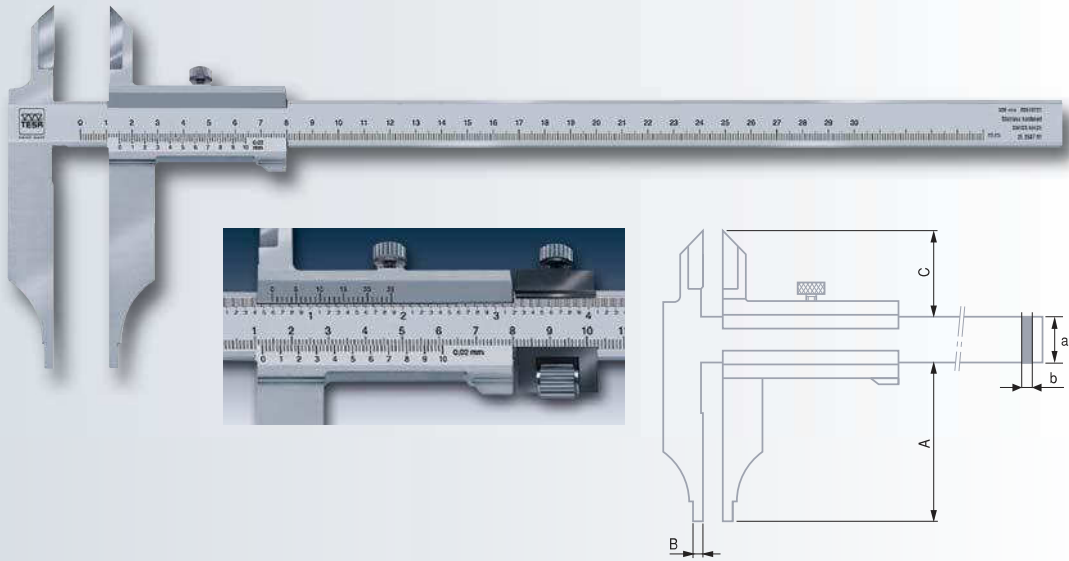
See page B-2

Hardened  
stainless steel

Wooden case  
or plastic case  
depending on  
the model

Identification  
number

Inspection report  
with a declaration  
of conformity



mm

### Without fine adjust device

	mm	mm	in	in	a	b	A	B	C
00510701	0 ÷ 200	0.02	–	–	17	3.5	80	5	30
00530701	0 ÷ 200	0.02	0 ÷ 8	0.001	17	3.5	80	5	30
00510711	0 ÷ 250	0.02	–	–	20	4	80	5	38
00510721	0 ÷ 300	0.02	–	–	20	4	90	5	38
00530721	0 ÷ 300	0.02	0 ÷ 12	0.001	20	4	90	5	38
00510722	0 ÷ 300	0.05	–	–	20	4	90	5	38
00510741	0 ÷ 500	0.02	–	–	28	6	150	10	60
00530741	0 ÷ 500	0.02	0 ÷ 20	0.001	28	6	150	10	60
00510751	0 ÷ 600	0.02	–	–	28	6	150	10	60

### With fine adjust device

00510801	0 ÷ 200	0.02	–	–	17	3.5	80	5	30
00510821	0 ÷ 300	0.02	–	–	20	4	90	5	38
00530821	0 ÷ 300	0.02	0 ÷ 11	0.001	20	4	90	5	38
00510822	0 ÷ 300	0.05	–	–	20	4	90	5	38
00510841	0 ÷ 500	0.02	–	–	28	6	150	10	60
00530841	0 ÷ 500	0.02	0 ÷ 20	0.001	28	6	150	10	60
00510861	0 ÷ 800	0.02	–	–	32	8	150	10	56
00510871	0 ÷ 1000	0.02	–	–	32	8	150	10	56

### Optional Accessory

0051610365 Magnetic magnifying glass. 3x magnification