



DIN 862 and factory standard

See table

0.01 mm
0.0005 in

LCD. 8.5 mm

Flotina zero

Display lock

mm / in conversion

Scale with incremental divisions, magnetic

> 1.5 m / s

RS232 opto-coupled, mono- and bi-directional

Hardened steel jaws for external dimensions. Also with TiN coating, thickness to 7 mm. Tungsten carbide inserts for internal dimensions, 5 mm dia. Beam with light allow hollow section, supported by hardened stainless steel rods.

3V lithium battery, CR 2032

≈ 1.5 a (≈ 3300 h / a)

5°C to 40°C

-10°C to 60°C

IP40 (IEC 60529)

EN 50081-1
EN 50082-1

Shipping packaging

Identification number

Inspection report for models up to 1500 mm

Declaration of conformity

INTERAPID Light

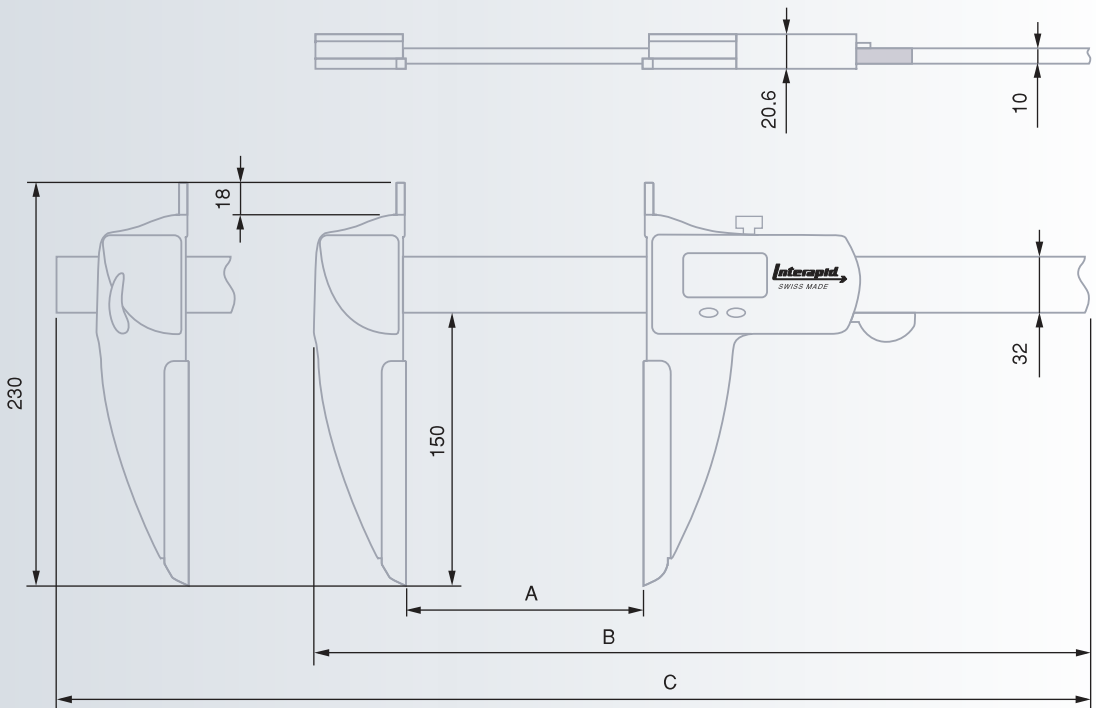
Measuring functions

- Zero setting
- Metric/Inch conversion
- Hold function for displayed value
- OPTO-RS data transfer, mono- and bi-directional
- Two adjustable points of origin (Ref I / Ref II)
- PRESET function
- MIN/MAX mode
- Two limit values for the classification



No			μm	μm	A mm	B fixed	C movable	kg
00590061	INTERAPID Light	300	30	20	330	618	–	1.1
00590062	INTERAPID Light	600	40	20	630	918	–	1.3
00590063	INTERAPID Light	1000	60	20	1025	–	1306	1.6
00590064	INTERAPID Light	1500	150	20	1525	–	1806	2
00590065	INTERAPID Light	2000	250	30	2040	–	2306	2.3
00590066	INTERAPID Light	2500	350	30	2545	–	2806	2.6
00590067	INTERAPID Light	3000	450	40	3050	–	3306	3

Models 300 and 600 mm with a fixed jaw (left), any other model with a movable one.



Standard Accessories



00560095	A	Insert-holder with a M2.5 thread
00560096	B	60° conical steel pin, hardened steel for measuring centre distances >10 mm
00560097	C	Holder for dial gauge inserts used for groove measurement, L = 28 mm
00560098	D	Holder for dial gauge inserts used for groove measurement, L = 58 mm
00560099		Wooden case for INTERAPID Light 300 mm
00560100		Wooden case for INTERAPID Light 600 mm
00560101		Wooden case for INTERAPID Light 1000 mm
00560102		Wooden case for INTERAPID Light 1500 mm
01961000		3V lithium battery, 190 mAh, type CR 2032
		For connecting cables, see section A

