



DIN 863 T3
(Style D16)

0.001 mm
0.00005 in

Metric/Inch
conversion

30 mm
measuring span

0 ≤ 500 mm:
malleable
cast iron.
> 500 ≤ 1000 mm:
steel tube with insulating
arids. Max. flexure of the
frame under a measuring
force of 10 N: see the table
opposite

Tungsten carbide
tipped

∅ 8 mm

0.5 mm

Max. 10 N

LCD, digit height:
7 mm

RS 232

Additional
technical data:
see page C-3

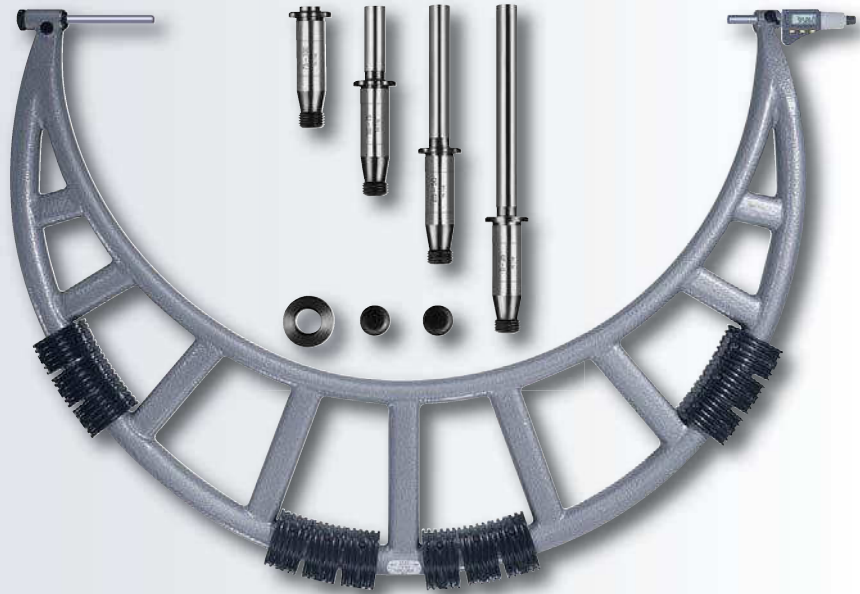
Wooden case

Identification
number

Inspection report
with a declaration
of conformity

MICROMASTER with interchangeable Anvils

All sets include 4 interchangeable anvils with increasing length in steps of 25 mm. Anvils are adjusted (and numbered) in sets, thus rendering the correction of the indication unnecessary whenever an anvil is exchanged.



	mm	in	um	um
06030047	0 ÷ 100	0 ÷ 3.94	6	3
06030048	100 ÷ 200	3.94 ÷ 7.87	7	4.5
06030049	200 ÷ 300	7.87 ÷ 11.81	8	7
06030050	300 ÷ 400	11.81 ÷ 15.75	9	9
06030051	400 ÷ 500	15.75 ÷ 19.69	10	9
06030052	500 ÷ 600	19.69 ÷ 23.62	11	9
06030053	600 ÷ 700	23.62 ÷ 27.56	12	10
06030054	700 ÷ 800	27.56 ÷ 31.50	13	12
06030055	800 ÷ 900	31.50 ÷ 35.43	14	12
06030056	900 ÷ 1000	35.43 ÷ 39.37	15	16

Measuring range up to 1500 mm also available upon request.

Dial Gauge Element for MICROMASTER

Can replace the interchangeable anvils on AB series micrometers. Make finding the culmination point easier. Ensures a constant measuring force. Supplied as standard accessory with the ABY series micrometers.



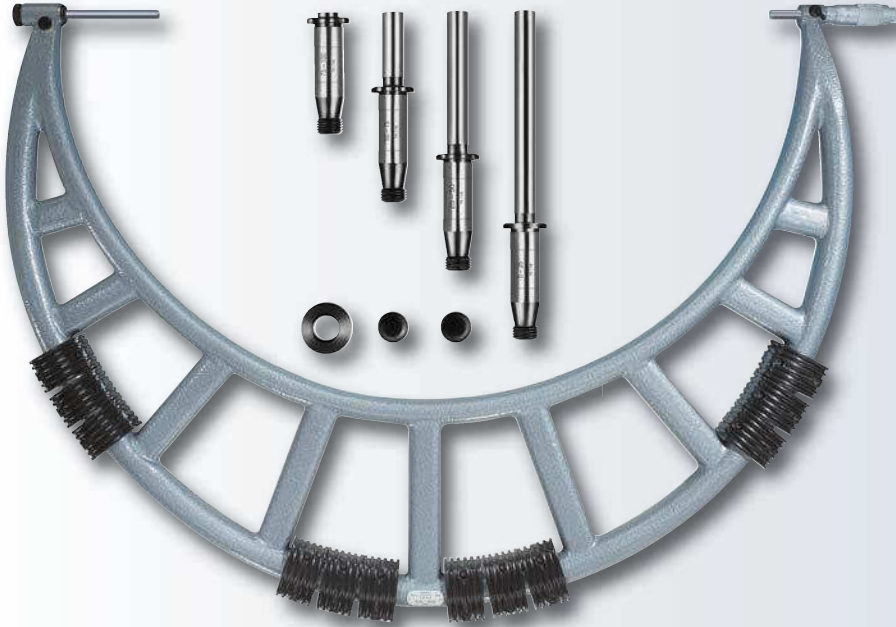
See next page

00140301



ISOMASTER AB with interchangeable Anvils

Lightweight, but rugged anvil micrometers. Set No. 00140101 includes 4 interchangeable anvils with increasing length in steps of 25 mm. Anvils are adjusted (and numbered) in pairs, thus rendering any correction of the indication unnecessary whenever an anvil is exchanged.



No	mm	μm	μm
00111901	0 ÷ 100	6	3
00111902	100 ÷ 200	7	4.5
00111903	200 ÷ 300	8	7
00111904	300 ÷ 400	9	9
00111905	400 ÷ 500	10	9
00111906	500 ÷ 600	11	9
00111907	600 ÷ 700	12	10
00111908	700 ÷ 800	13	12
00111909	800 ÷ 900	14	12
00111910	900 ÷ 1000	15	16

Measuring range up to 1500 mm also available upon request.

Dial Gauge Element for AB Series Micrometers

Can replace the interchangeable anvils on these micrometers. Make finding the culmination point easier. Ensures a constant measuring force. Supplied as standard accessory with the ABY series micrometers.

00140301

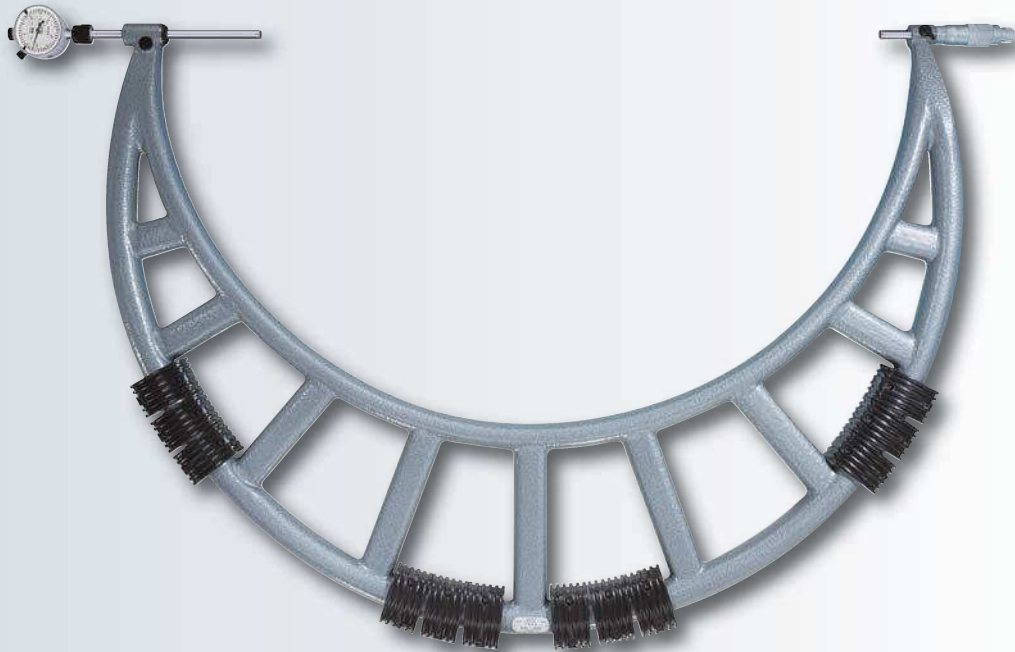


- ✓
- DIN 863 T3 (Style D16) NF E 11-090
- 0.01 mm
- 0 ≤ 500 mm: malleable cast iron; 500 ≤ 1000 mm: steel tube with insulating anvils. Max. flexure of the frame under a measuring force of 10 N: see the table opposite
- Tungsten carbide tipped
- 8 mm dia.
- 0.5 mm
- Max. 10 N
- Wooden case
- Identification number
- Declaration of conformity

- ✓
- ± 1.5 mm
- 0.01 mm
- Tungsten carbide tipped
- 8 mm dia.
- Max. 10 N
- Meas. element: 11 mm dia., 100 mm long. Dial gauge No. 01410211: 40 mm dial diameter, two-way dial reading.
- Identification number
- With dial gauge and clamp
- Declaration of conformity

Series ABY ISOMASTER with Adjustable Dial Gauge Element

Similar to the AB series micrometers, but equipped with the adjustable dial gauge element No. 00140301 that helps you to find the culmination point easier with a constant measuring force.



DIN 863 T3
(Style D15)
NF E 11-090

0,01 mm

0 ≤ 500 mm: malleable cast iron;
> 500 ≤ 800 mm: steel tube with insulating ariols.
Max. flexure of the frame under a measuring force of 10 N: see the table opposite

Tungsten carbide tipped

8 mm dia.

0,5 mm

Max. 10 N

Dial gauge: see on page C-8

Wooden case

Identification number

Declaration of conformity

No	mm	µm	µm
00112001	0 ÷ 100	6	3
00112002	100 ÷ 200	7	4.5
00112003	200 ÷ 300	8	7
00112004	300 ÷ 400	9	9
00112005	400 ÷ 500	10	9
00112006	500 ÷ 600	11	9
00112007	600 ÷ 700	12	10
00112008	700 ÷ 800	13	12

Measuring range up to 1500 mm also available upon request.



DIN 863 T3
(Style D16)
NF E 11-090

Tungsten carbide tipped

8 mm dia.

Set includes 2 guard plates for the frame as well as 1 clamping nut

Identification number

Interchangeable Anvils for ABY Series ISOMASTER

Set of 4 interchangeable anvils with increasing length in steps of 25 mm. The anvils are adjusted and numbered in pairs, thus eliminating the need for resetting the indication when exchanging either of them.

Supplied as standard accessories with the AB series micrometers.

No
00140101

