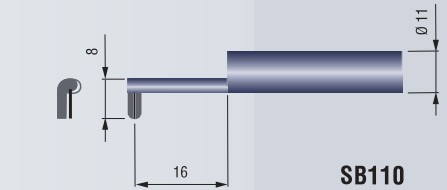
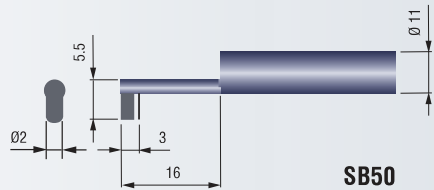
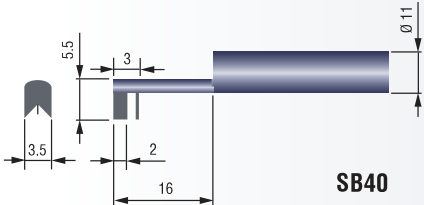
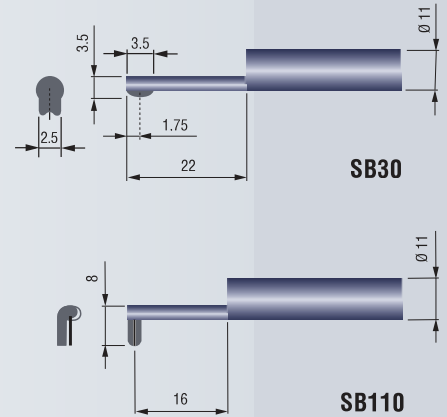
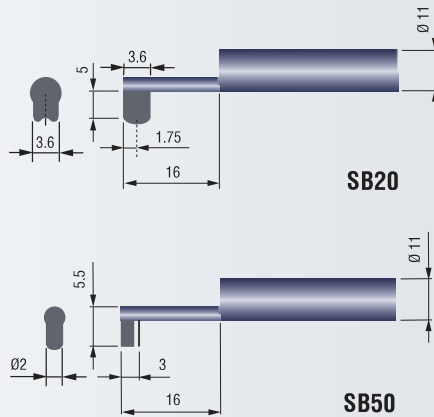
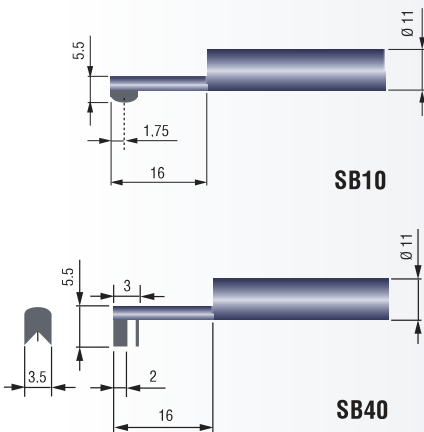
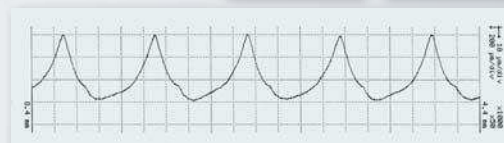
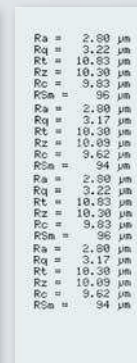


## Optional Probes

06960036	SB10	Standard probe for surfaces and bores. internal/external diameters of >10 mm.
06960037	SB20	Probe for arooves. max. depth 5 mm.
06960038	SB30	Probe for small bores from 4 mm dia.
06960039	SB40	Probe with V-skid for cables with external diameter of >1 mm.
06960040	SB50	Probe with front mounted contact skid for concave surfaces. Ideal for 90° measurement.
06960056		Probe extension. 100 mm long (1 single item).
06960057	SB110	Probe for concave or convex surfaces. smaller tip radius to 5 mm.



## Matrix Printer



06960033	Matrix printer. 24 columns
<i>Provided along with:</i>	
	Rechargeable battery pack
	Connecting cable to RUGOSURF 10/10G/90G
06960043	Inked ribbon for printer (3 items)
06960044	Paper rolls. 57 mm wide (10 units)

# RUGOSOFT 10 Software



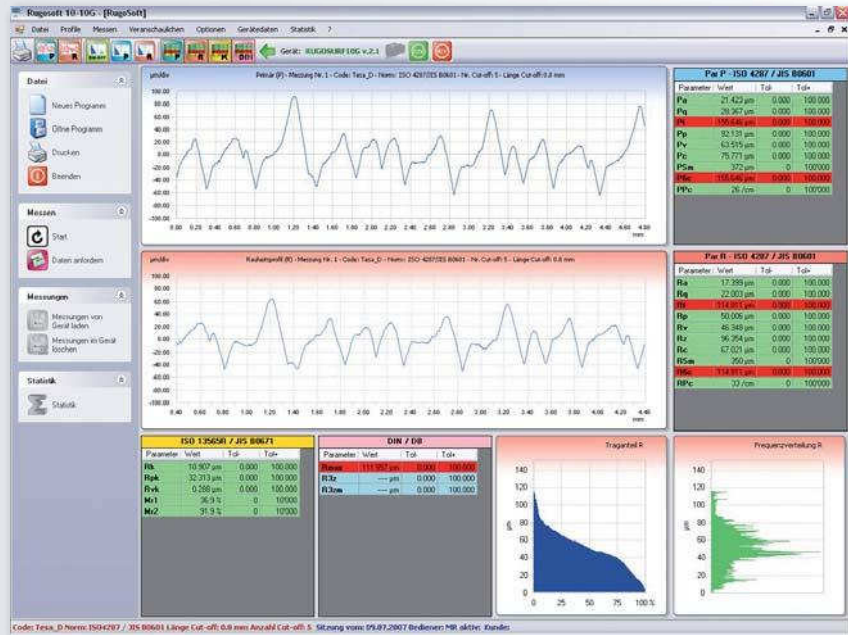
**06960034 Ruasoft 10 software**

Provided along with:

CD with all instructions for installation. 6 languages available

Instruction manual plus on-line help (included on the CD)

USB cable, L = 1.80 m



## Additional Accessories



**06960035** Support with granite base, 400 x 250 mm

**06960041** Roughness standard, nominal value Ra = 2.97 µm / 117 µin

**06960042** Remote control

**06960045** Battery pack for powerina Ruasurf 10G

**06960046** Mains adapter, 100 to 240 Vac / 50 to 60 Hz

**06960047** Suited plastic case for both Ruasurf 10 and 10G

**06960059** Double connector for external power switch and printer

**06960063** Battery pack for Ruasurf 10



06960035

